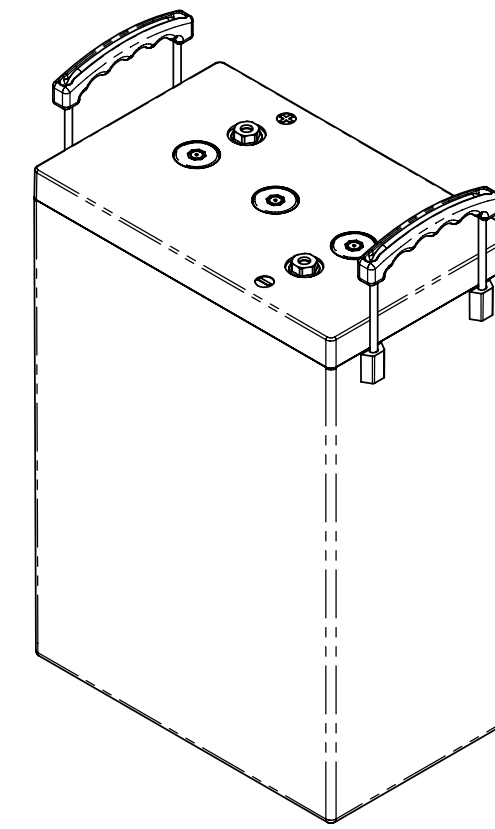
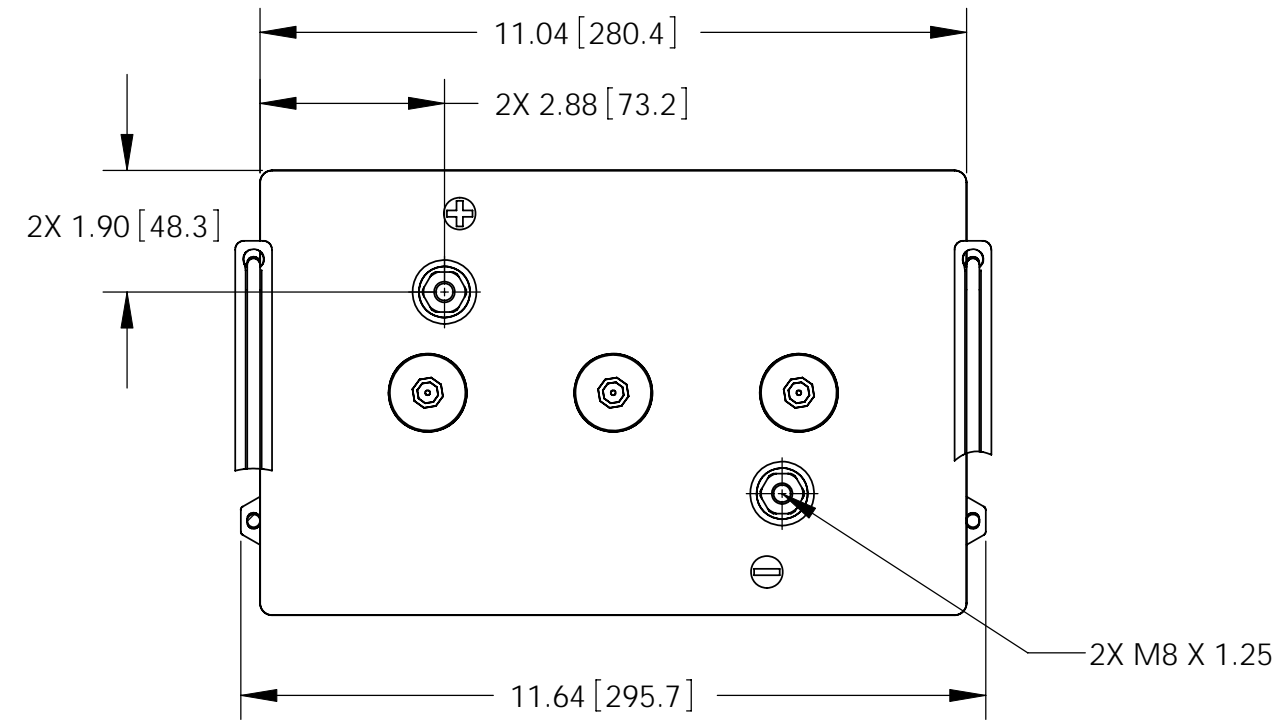


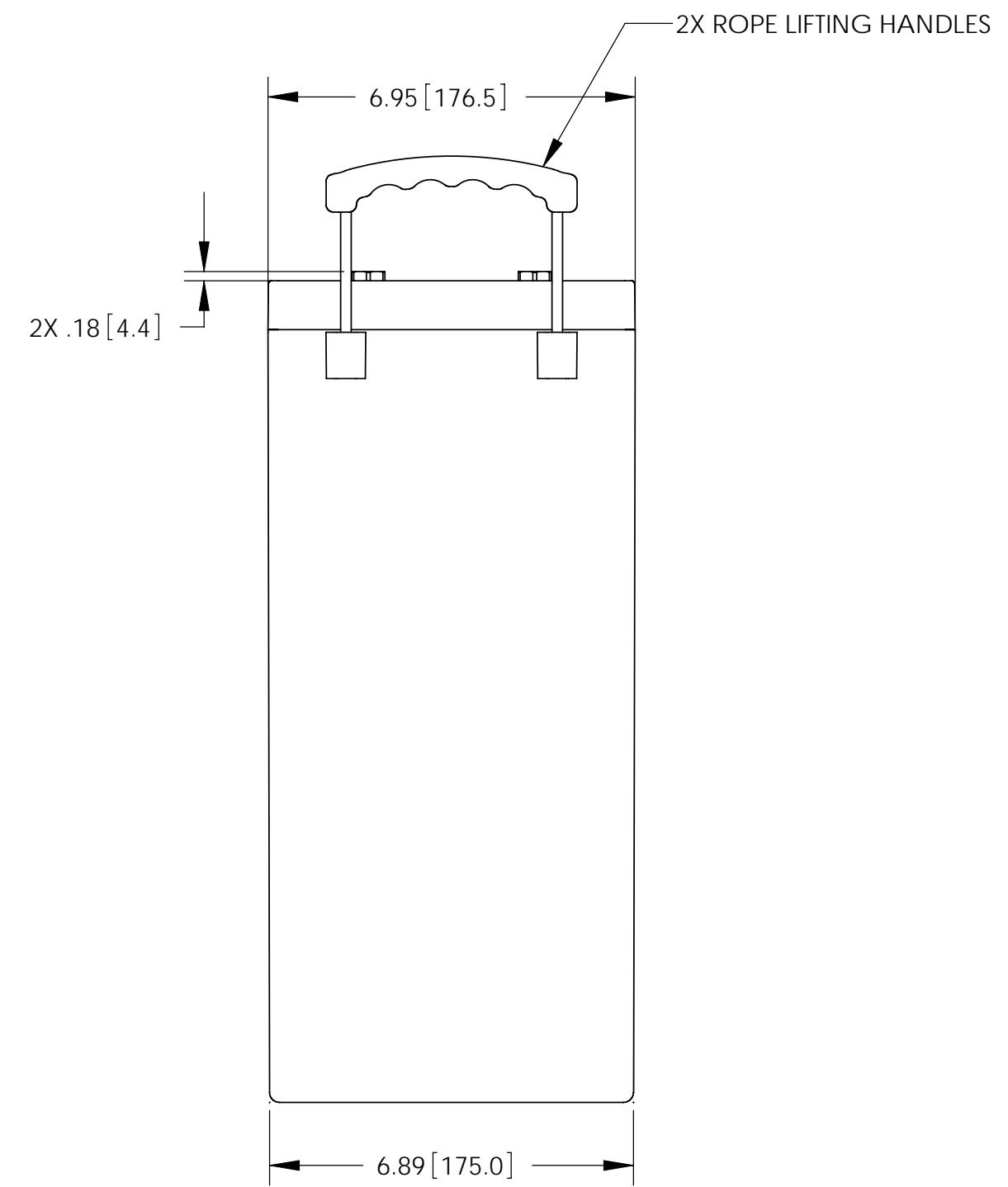
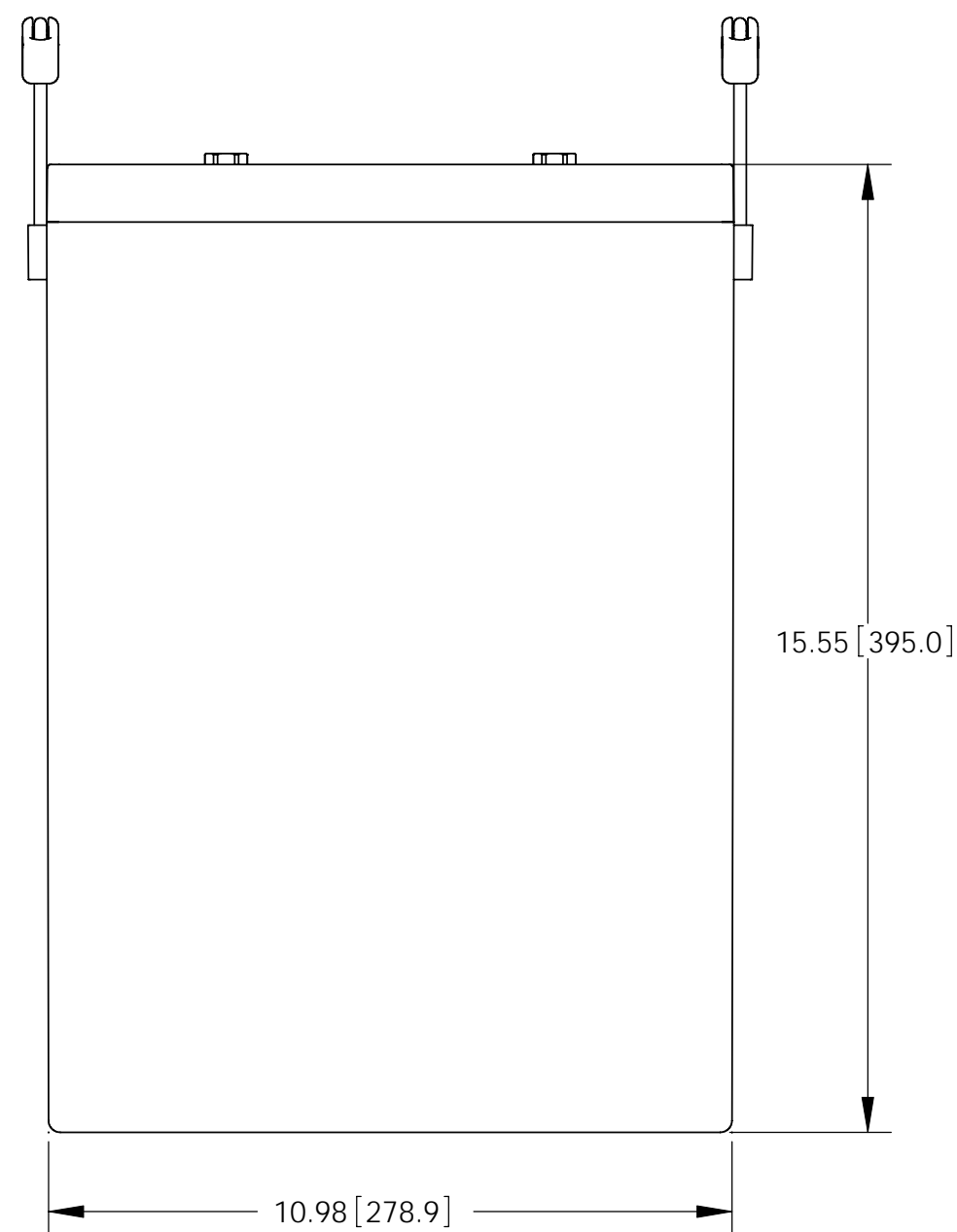
NOTES: UNLESS OTHERWISE SPECIFIED

1. SEE DRAWING NO. CB-00391 AND PROCEDURE P-1000 FOR ASSEMBLY AND TEST INSTRUCTIONS. PROCEDURES AND ASSEMBLY DRAWING ARE FOR INTERNAL USE ONLY.
2. ALL TESTING IS PERFORMED IAW BATTERY COUNCIL INTERNATIONAL STANDARDS.
3. ALL DIMENSIONS ARE IN INCHES [MILLIMETERS].
4. ABBREVIATION USED IN TITLE IS: SEALED LEAD ACID (SLA).

REVISIONS			
REV	DESCRIPTION	DATE	APPROVED



REFERENCE VIEW



ENVELOPE DRAWING

CAPACITY RATINGS	
PART NUMBER	PVX-4050HT
NOMINAL WEIGHT	120 LBS [54.4 KG]
AMPERE HOUR CAPACITY @ 24 HOUR 1.75 VOLTS/CELL @ 77°F (25°C)	405 AH

UNLESS OTHERWISE SPECIFIED DIMENSIONS ARE IN INCHES TOLERANCES ARE:			CONTRACT NO.		CONCORDE BATTERY CORPORATION 2009 SAN BERNARDINO RD, W. COVINA, CA 91790			
FRACTIONS	DECIMALS	ANGLES	APPROVALS	DATE	TITLE			
±1/32	.XX ± .12 .XXX ± .060	±1°	DRAWN	N.SANCHEZ	BATTERY, SLA, 6 VOLT, PVX-4050HT			
TREATMENT	NONE	CHECKED	AMIII	7/6/09	SIZE	CAGE CODE	DWG NO.	REV
FINISH	NONE	APPROVED	JBT	7/7/09	C	63017	PVX-4050HT	
SIMILAR TO	CALC WT	ISSUED	JJ	7/8/09	SCALE	1:3	SHEET 1 OF 1	