



FLOODED DEEP CYCLE BATTERIES

6 HHG 31P

6 VOLTS



CONTAINER: (INNER)	Polypropylene
COVER: (INNER)	Polypropylene - heat sealed to inner container
CONTAINER: (OUTER)	High Density Polyethylene
COVER: (OUTER)	High Density Polyethylene snap fit to outer container
TERMINALS:	Flag with stainless steel nuts & bolts
HANDLES:	Molded

WEIGHT DRY:	44 kg	96 Lbs.
WEIGHT WET:	57 kg	125 Lbs.
LENGTH:	527 mm	20 3/4 Inches
WIDTH:	203 mm	8 Inches
HEIGHT:	302 mm	11 7/8 Inches

PLATE HEIGHT:	140 mm	5.500 Inches
PLATE WIDTH:	143 mm	5.625 Inches
THICKNESS (POSITIVE):	3.81 mm	0.150 Inches
THICKNESS (NEGATIVE):	2.49 mm	0.098 Inches



CELLS:	31 Plates/Cell	3 Cell
SEPARATOR THICKNESS:	2 mm	0.081 Inches
GLASS MAT INSULATION:	1 mm	0.02 Inches
ELECTROLYTE RESERVE: ABOVE PLATES	70 mm	2.75 Inches

COLD CRANK AMPS (CCA):	0°F / -17.8°C	1445
MARINE CRANK AMPS (MCA):	32°F / 0°C	1806
RESERVE CAPACITY (RC @ 25A):		696 Minutes

CAPACITY 344 AH

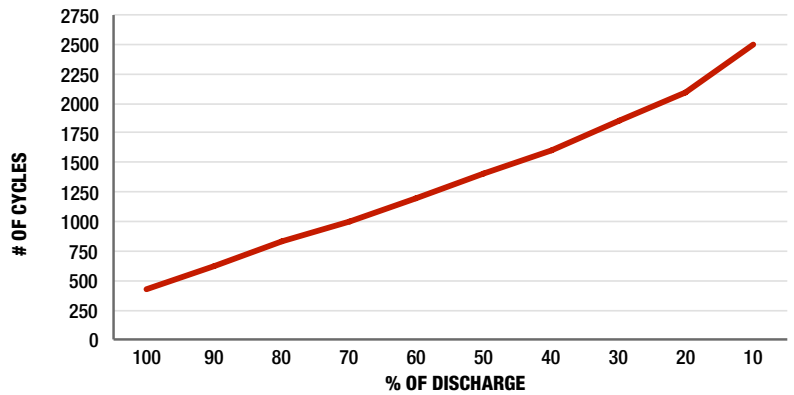
HOUR RATE:	SPECIFIC GRAVITY	CAPACITY / AMP HOUR	CURRENT / AMPS
@ 100 HOUR RATE	1.280	458	4.58
@ 72 HOUR RATE	1.280	433	6.02
@ 50 HOUR RATE	1.280	409	8.19
@ 24 HOUR RATE	1.280	354	14.76
@ 20 HOUR RATE	1.280	344	17.20
@ 15 HOUR RATE	1.280	323	21.56
@ 12 HOUR RATE	1.280	306	25.51
@ 10 HOUR RATE	1.280	292	29.24
@ 8 HOUR RATE	1.280	275	34.40
@ 6 HOUR RATE	1.280	255	42.43
@ 5 HOUR RATE	1.280	241	48.16
@ 4 HOUR RATE	1.280	224	55.90
@ 3 HOUR RATE	1.280	203	67.65
@ 2 HOUR RATE	1.280	175	87.72
@ 1 HOUR RATE	1.280	124	123.84

Amper Hour capacity ratings based on specific gravities of 1.280. Reduce capacities 5% for 1.265 specific gravity and 10% for specific gravities of 1.250

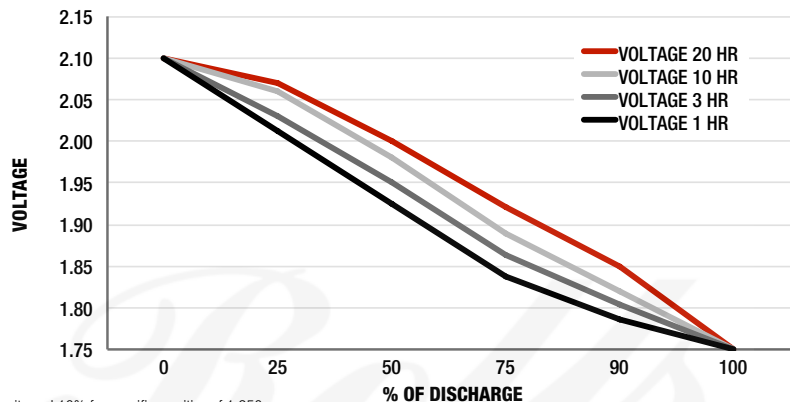
WWW.ROLLSBATTERY.COM

SPEC 01

CYCLE LIFE VS. DEPTH OF DISCHARGE

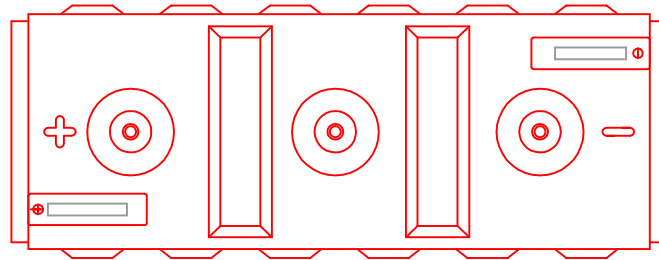


VOLTAGE VS. DEPTH OF DISCHARGE



SURRETTE BATTERY COMPANY 1 STATION RD SPRINGHILL, NS CANADA B0M 1X0

12/1/2013 REV. 1



PART NUMBER: 6-HHG-31P

WEIGHT WET: 125 LB / 57 KG

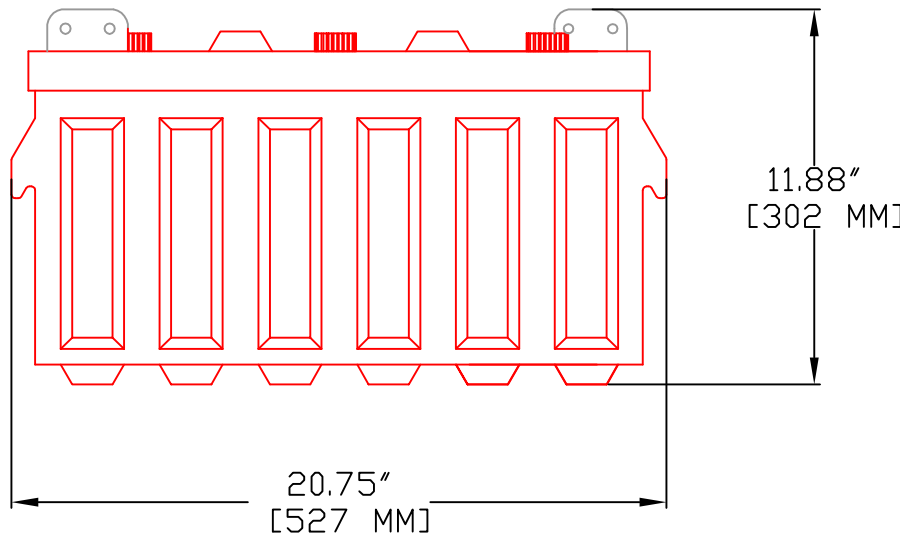
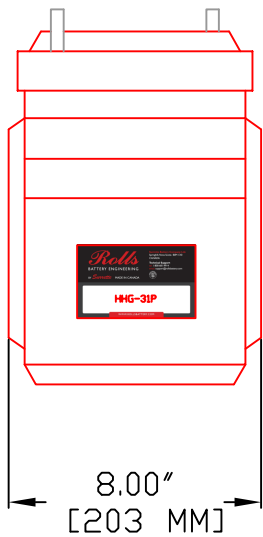
WEIGHT DRY: 96 LB / 44 KG

CAPACITY: 344 AH 20 HR

VOLTAGE: 6 V

OVERALL DIMENSIONS: 20³/₈" x 8" x 11⁷/₈"

MAX HEIGHT WITH OPTIONAL HYDROCAPS: 12.43" / 316 MM



TITLE:	6HHG31P
DESCRIPTION:	6V DEEP CYCLE 400/4000 SERIES
CONTACT INFO:	WEB: WWW.SURRETTE.COM E-MAIL: SALES@SURRETTE.COM PHONE: 1-800-681-9914
SCALE:	1" = 6" 8.5" X 11" 1" = 4" 11" X 17" JPEG NOT TO SCALE
Drawn by:	Approved By:
S. WILES	D. SURRETTE
DATE: JAN-2010	REVISION 2
DRAWING NO: DWG 032, BD6HHG31P	