

G750 .75A 6V&12V

Lead Acid

Wet Gel MF EFB AGM

Auto | Marine | RV | Powersport | Lawn & Garden



UltraSafe[®] Battery Charger[™]

Charge Fully Drained
Batteries Up To **30Ah**.
Maintain All Battery Sizes.

ATVs, Lawn Mowers, Motorcycles, Cars, Trucks,
Boats, RVs, Tractors, Equipment, And More.

Ultra-compact, rugged, and portable **UltraSafe[®]** Smart Charger. Features **spark proof technology** and **reverse polarity protection**. Charges **2X faster** than ordinary chargers. Stay connected 24/7 with **zero overcharge**.



Start-Stop.

Counteracts increased cyclic energy demands placed on batteries in micro-hybrid vehicles.



Firewall.

Multi-level safety barrier prevents unsafe and abnormal conditions.



Optimization.

Stabilizes internal battery chemistry for increased performance and longevity.



Load Tracking.

Dynamically changes charge current when a load is placed on the battery.



Diagnostics.

Intuitive visual diagnostic tool for detecting reverse polarity, low-voltage or damaged batteries.



Energy Save.

Minimizes energy consumption when full power is not needed.



Thermal Monitor.

Internal temperature sensors adjust charge based on ambient climate.



Safe.

Protects against reverse polarity, sparks, over-charging, overcurrent, open-circuits and overheating.



Memory.

Returns to last-selected mode when restarted.



Interactive.

Alters the charging process based on organic battery feedback.



Recovery.

Applies a high-voltage pulse charge when low-voltage, sulfation, or lost capacity is detected.



Rugged.

Dirt, water, UV, impact and crush resistant.



CANBUS.

Automatically enables the charging port to charge CANBUS systems.



Maintenance Plus.

Keeps the battery fully charged without over-charging, indefinitely.

Charge **6V&12V** Batteries Up To 30Ah. Maintain All Battery Sizes.

The NOCO Company
30339 Diamond Parkway, #102
Glenwillow, OH 44139 | USA
1.800.456.6626

no.co

NOCO
Since 1914



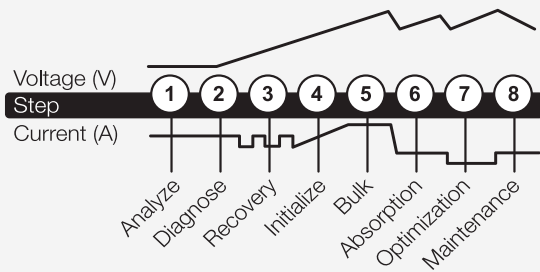
Charging Modes

Mode	Explanation	12V NORM	14.5V 750A 2-30Ah Batteries For charging 12-volt Wet Cell, Gel Cell, Enhanced Flooded, Maintenance-Free and Calcium batteries. When selected, a white LED will illuminate.
Standby	No Power In standby mode, the charger is not charging or providing any power to the battery. Energy Save is activated during this mode, drawing microscopic power from the electrical outlet. When selected, an orange LED will illuminate.	6V NORM Press & Hold	7.25V 750A 2-30Ah Batteries For charging 6-volt, Wet Cell, Gel Cell, Enhanced Flooded, Maintenance-Free and Calcium batteries. When selected, a white LED will illuminate.

Technical Specifications

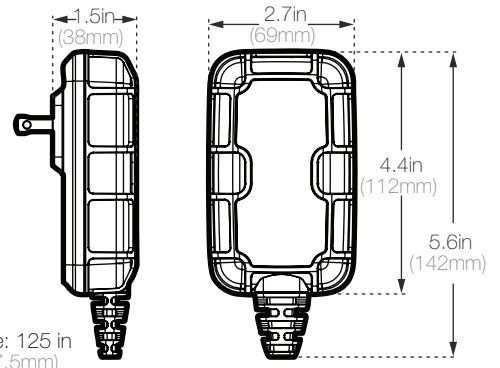
Input Voltage AC:	110-120 VAC, 50-60Hz	Type of Batteries:	6V & 12V
Working Voltage AC:	85-130 VAC, 50-60Hz	Battery Chemistries:	Wet, Gel, MF, CA, EFB, AGM
Efficiency:	85% Approx.	Battery Capacity:	2-30Ah (12V), 2-30Ah (6V), Maintains All Battery Sizes
Power:	13W Max	Housing Protection:	IP60
Low-Voltage Detection:	2V (12V), 2V (6V)	Cooling:	Natural Convection
Back Current Drain:	<5mA	Dimensions (LxWxH):	4.4 x 2.7 x 1.5 in (112 x 69 x 38mm)
Ambient Temperature:	0°C to +40°C, 32°F to +104°F	Weight:	0.49 Pounds (0.22 kg)
Charger Type:	8 Step, Smart Charger		

Charging Steps



What's In The Box

- G750 Smart Charger
- Battery Clamp Connectors w/ Integrated Eyelets
- User Guide and Information Guide & Warranty



Retail Packaging:

Dimensions: 6.46"x3.78"x4.02"
(164 x 96 x 102mm)

Weight: 1.08lbs (0.49kg)

UPC: 0-46221-10031-0

Inner Carton:

Dimensions: 6.77"x4.09"x4.53"
(172 x 104 x 115mm)

(cont'd.) Weight: 1.26lbs (0.57kg)

Master Carton:

Dimensions: 17.24"x14.25"x9.84"
(438 x 362 x 250mm)

Weight: 21.65lbs (9.82kg)

Quantity: 16

UCC: 10046221100317

Units Per Pallet: 576 Units



Intertek
4001276

CONFORMS TO UL STD. UL1236
CERTIFIED TO CSA STD. C22.2 No.107.2

DC Cable: 125 in
(317.5mm)

The NOCO Company
30339 Diamond Parkway, #102
Glenwillow, OH 44139 | USA
1.800.456.6626

no.co

NOCO
Since 1914