



# FFD55-12

(Group Size: 22NF)

Deep Cycle Sealed  
Maintenance-Free  
AGM Battery



## SPECIFICATIONS

Nominal Voltage		<b>12 Volt</b>
Rated Capacity (20 hour rate)		<b>55AH</b>
<b>Dimensions</b>	Total Height (including terminals)	<b>8.43"</b> (214mm)
	Height	<b>8.35"</b> (212mm)
	Length	<b>9.02"</b> (229mm)
	Width	<b>5.43"</b> (138mm)
Weight		<b>38.94 lbs</b> (17.7 kg)

## CHARACTERISTICS

<b>Capacity</b> 77°F (25°C)	20 Hour Rate (2.75A to 10.5 Volts)	<b>55AH</b>
	10 Hour Rate (5.2A to 10.5 Volts)	<b>52AH</b>
	5 Hour Rate (9.4A to 10.5 Volts)	<b>47AH</b>
	1 Hour Rate (35.5A to 10.02 Volts)	<b>35.5AH</b>
	30 Min. Rate (63A to 10.02 Volts)	<b>31.5AH</b>
<b>Internal Resistance</b>		Full charged Battery 77°F (25°C) <b>5.5m Ω</b>
<b>Max. Discharge Current</b> 77°F (25°C)		550A (5s)
<b>Terminal Standard</b>	M6	
<b>Charging Cycle</b> (Constant Voltage)	<b>Cycle</b>	Max. Charge Current: 16.5A 14.4 V - 14.7 V/77°F (25°C)
	<b>Float</b>	13.5 V - 13.8 V/77°F (25°C)

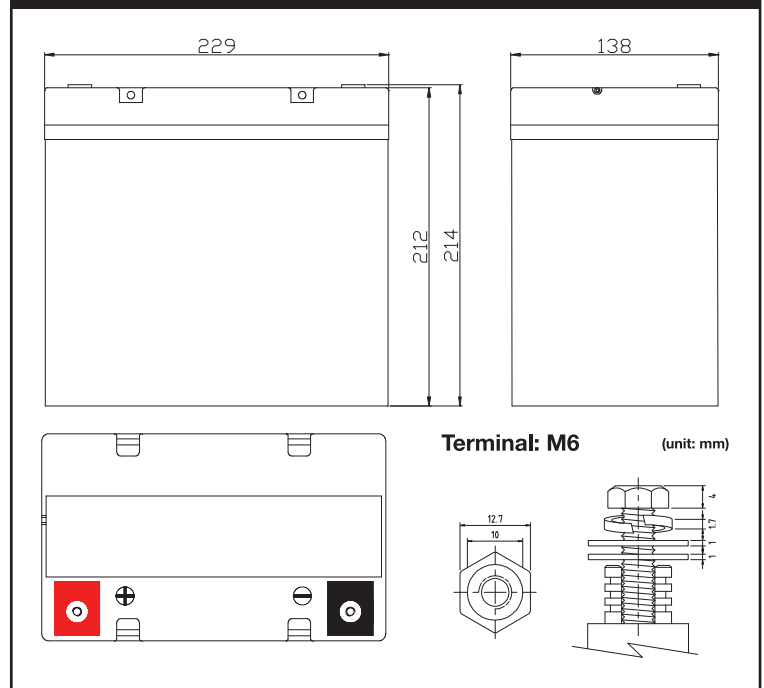
## CRANKING

<b>CA 32°F</b>	<b>CCA 0°F</b>
530	440

## RESERVE CAPACITY

<b>@25 AMPS</b>
91 Min.

## SIZE & DETAILED ILLUSTRATION



## CURRENT & WATTAGE CAPACITY @77°F (25°C)

Final Voltage	Time (Mins)	5	10	15	30	45	60	180	300	480	600	1200
		<b>9.6V</b>	A	205.2	139.4	108.4	65.7	47.3	36.7	15	9.7	6.6
	W	2224.5	1582.1	1239.4	743.6	550.0	447.5	177.3	116.7	77.3	64.14	35.66
<b>10.02V</b>	A	195.5	133.1	104.1	63	45.9	35.5	14.9	9.6	6.5	5.35	2.89
	W	2108.6	1506.5	1162.1	710.2	533.8	438.3	176	115.3	76.3	63.53	35.4
<b>10.2V</b>	A	175.5	123.3	96.6	60.5	44.7	34.8	14.7	9.5	6.5	5.3	2.84
	W	1924.7	1384.7	1094.5	672.1	514.5	428.2	174.5	113.8	75.2	62.81	35.1
<b>10.5V</b>	A	156.4	112.7	89.4	57.7	43	33.9	14.4	9.4	6.4	5.2	2.75
	W	1726.4	1253.8	1007.5	643	497.1	416.7	173.1	112.2	74.1	62.1	34.77
<b>10.8V</b>	A	140.0	101.5	83.9	54.9	41.3	32.8	14.2	9.3	6.3	5.16	2.65
	W	1544.1	1127.2	938.4	607.7	477.9	402.5	171.2	109.9	73.3	61.21	34.43

This information is generally descriptive only and is not intended to make or imply any representation, guarantee or warranty with respect to any cells and batteries. Cell and battery designs/specifications are subject to modifications without notice. Contact us for the latest model information.